

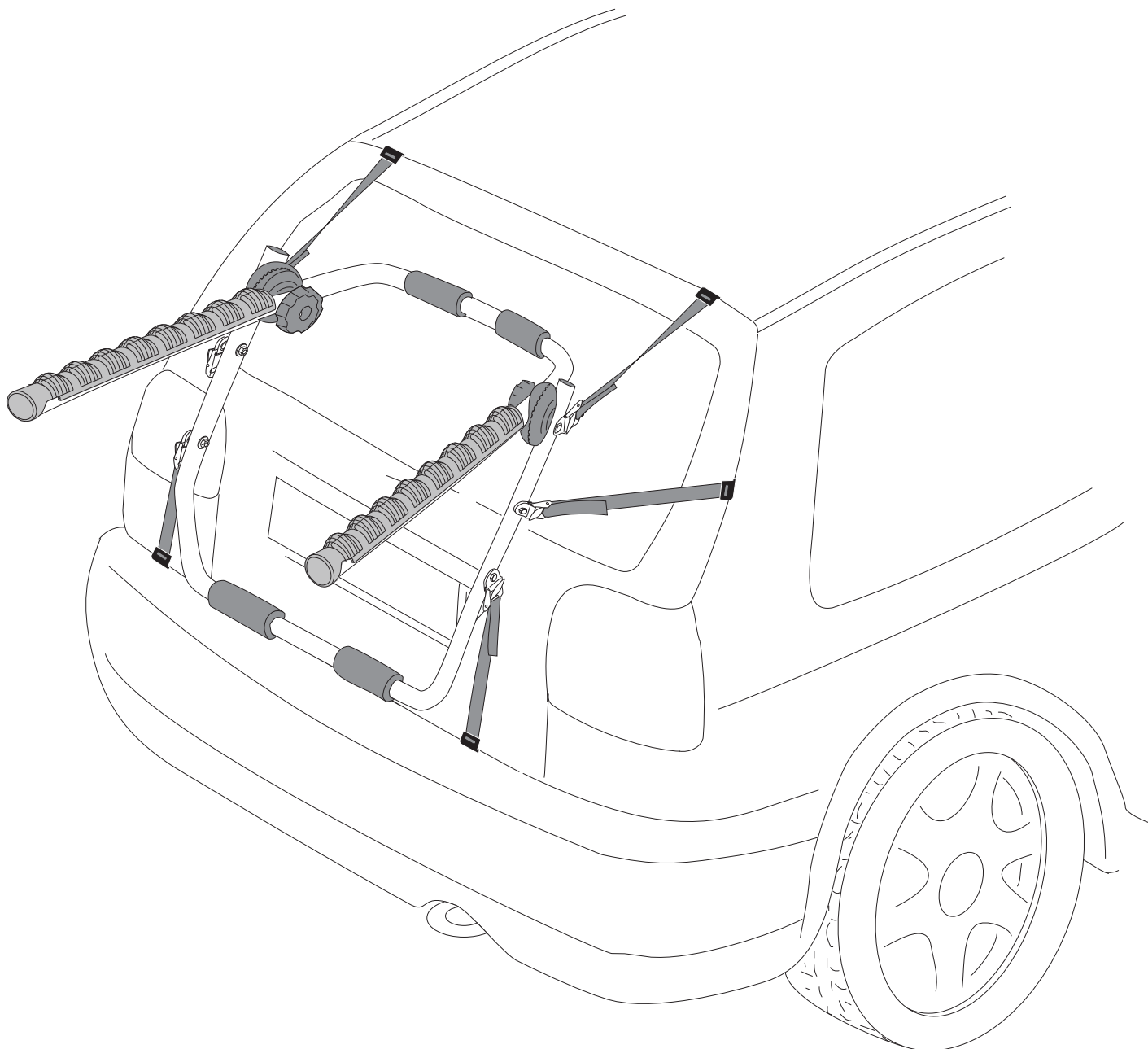
MENABO

BIKI

TOMCAT

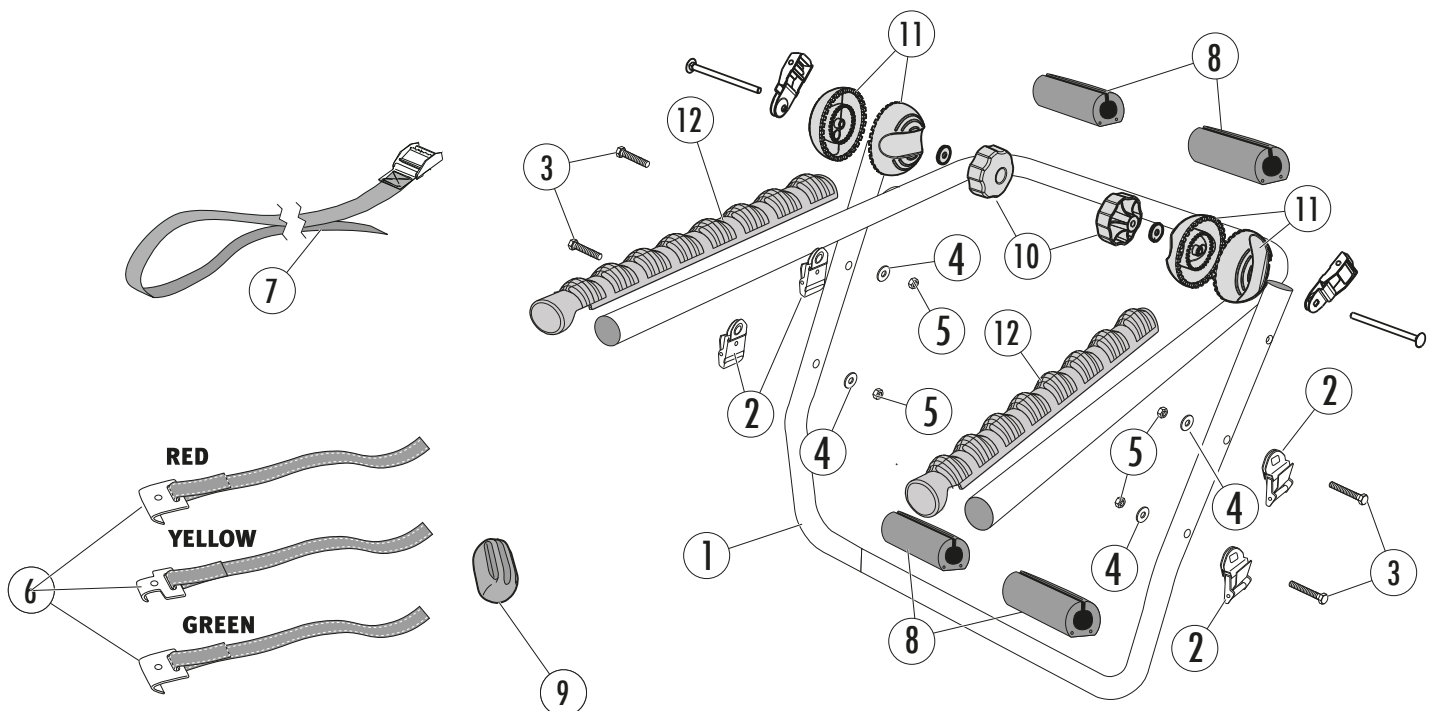
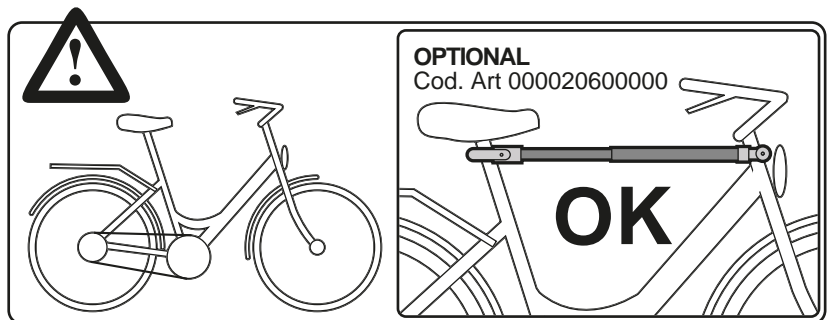
- I** Istruzioni per il montaggio
- GB** Fitting instructions
- D** Montageanleitung
- F** Instructions de montage
- E** Instrucciones de montaje
- NL** Montage-instructies
- PT** Instruções de Montagem
- S** Monteringsanvisning
- FIN** Asennusohje
- EST** Paigaldusjuhend
- LAT** Stiprināšanas instrukcija
- LIT** Pritvirtinimo instrukcijos
- PL** Instrukcja montażu


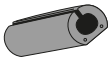
- RU** Инструкции по установке
- CZ** Návod na montáž
- SK** Návod na montáž
- SLO** Navodila za pritrjevanje
- HR** Uputa za sastavljanje
- HU** A felszerelés módja
- GR** Οδηγίες συναρμολόγησης
- DK** Monteringsvejledning
- RO** Instrucțiuni de montare
- TK** Uydurma talimat
- DK** Montering instruktion
- N** Monteringsveiledning
- 中文** 裝修指導
- العربية** تعليمات التحميل

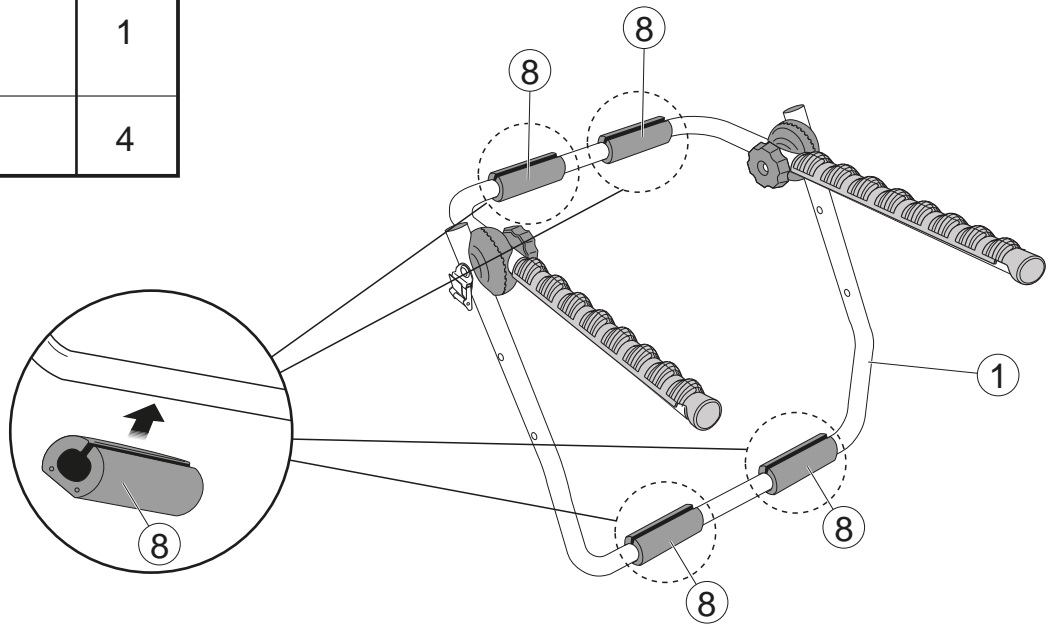






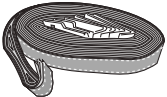



| N. | I Componenti (Inclusi) GB Components (Included) F Composants (Comprises) DE Die Komponenten (im Lieferumfang enthalten) E Componentes (Incluido) RU Компоненты (в комплекте) | | Q. |
|----|---------------------------------------------------------------------------------------------------------------------------------------------------------------------------------------------|------------|----|
| | | | |
| 1 | | | 1 |
| 2 | | | 4 |
| 3 | | | 4 |
| 4 | | | 4 |
| 5 | | | 4 |
| 6 | | RED | 2 |
| | | YELLOW | 2 |
| | | GREEN | 2 |
| 7 | | | 1 |
| 8 | | | 2 |
| 9 | | | 4 |

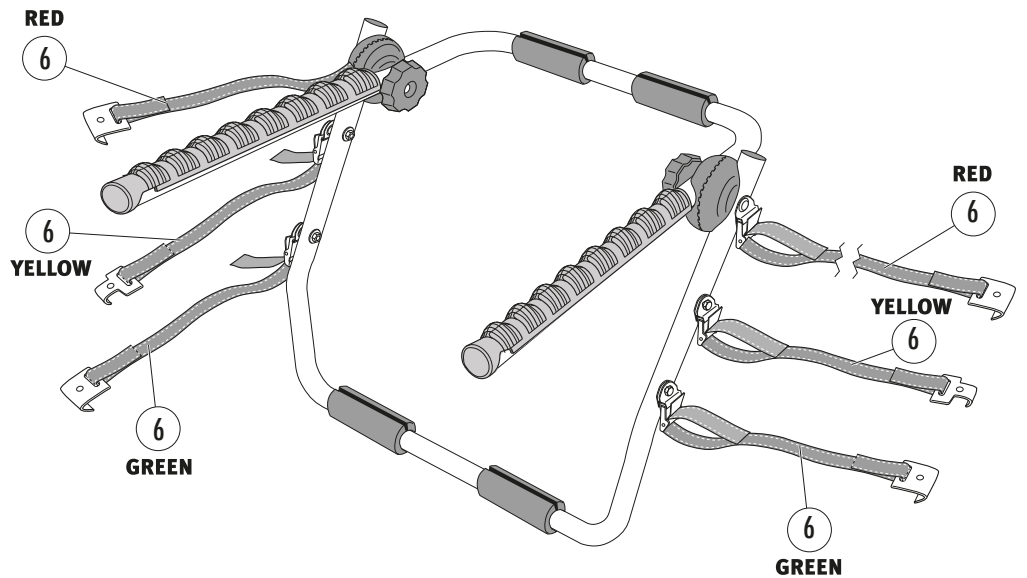
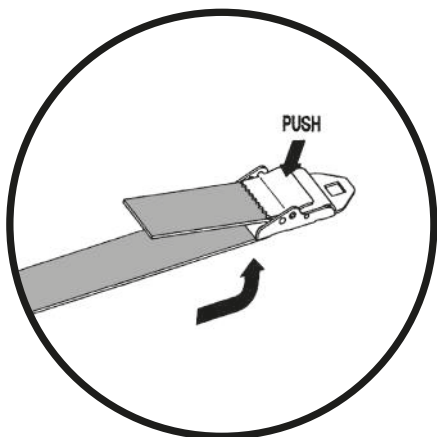
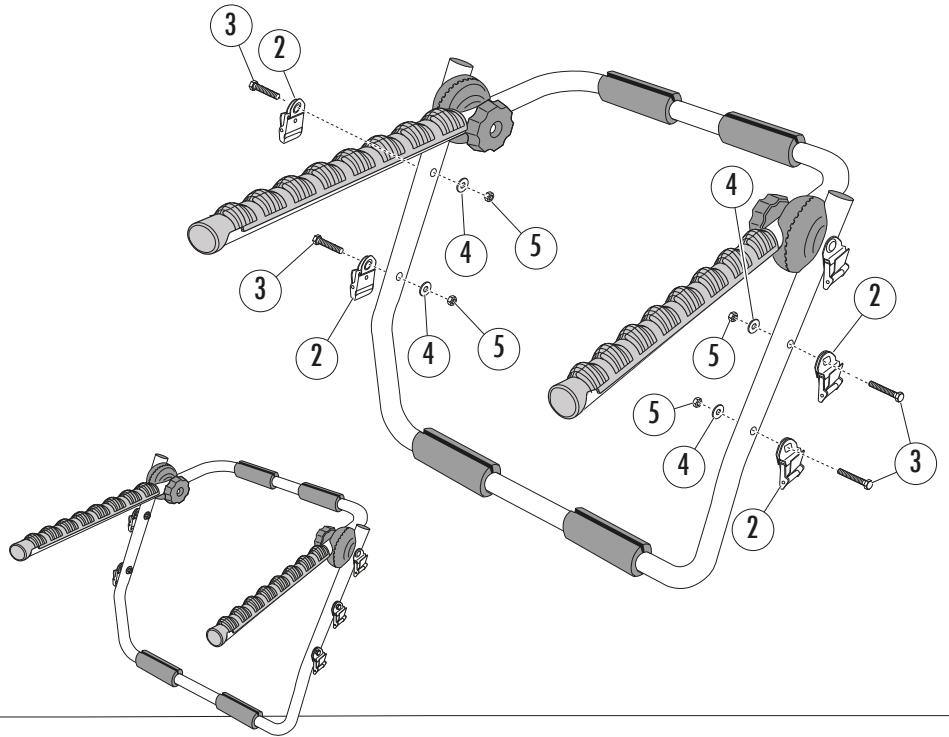
| N. | I Ricambi (A Richiesta) GB Spare Parts (Made to order) F Pièces de rechange (Sur commande) DE Teile (auf Anfrage) E Piezas de recambio (Previa solicitud) RU Запасные части (по запросу) | | Q. | Codice Code Code Código код |
|----|---------------------------------------------------------------------------------------------------------------------------------------------------------------------------------------------------------|--|----|-----------------------------------------|
| | | | | |
| 2 | | | 4 | 700001800000 |
| 3 | | | 4 | |
| 4 | | | 4 | |
| 5 | | | 4 | |
| 6 | | | 1 | |
| 7 | | | 1 | 700001100000 |
| 8 | | | 2 | 700002100000 |
| 9 | | | 4 | 700002600000 |
| 10 | | | 2 | 700001900000 |
| 11 | | | 2 | 700002000000 |
| 12 | | | 2 | 700002700000 |

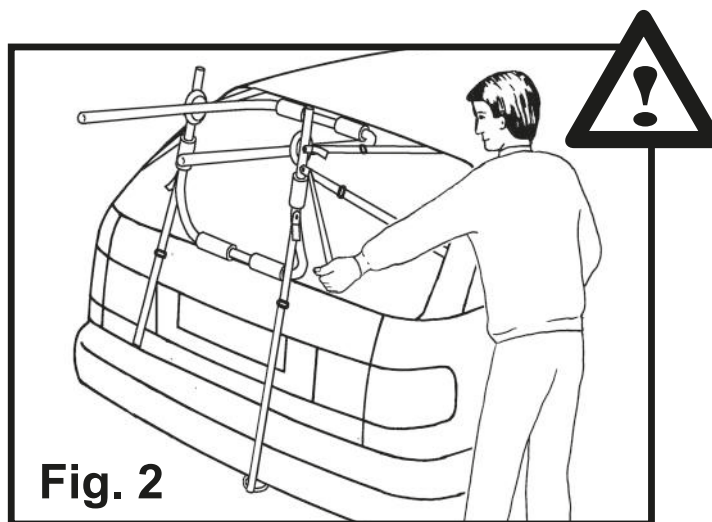
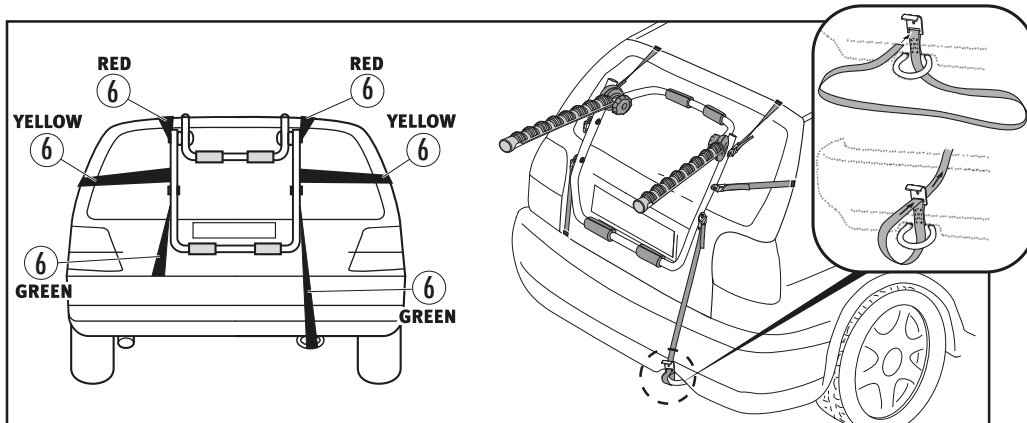
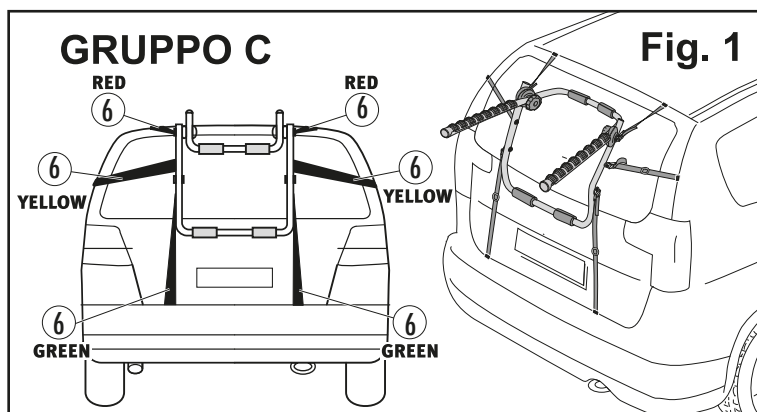
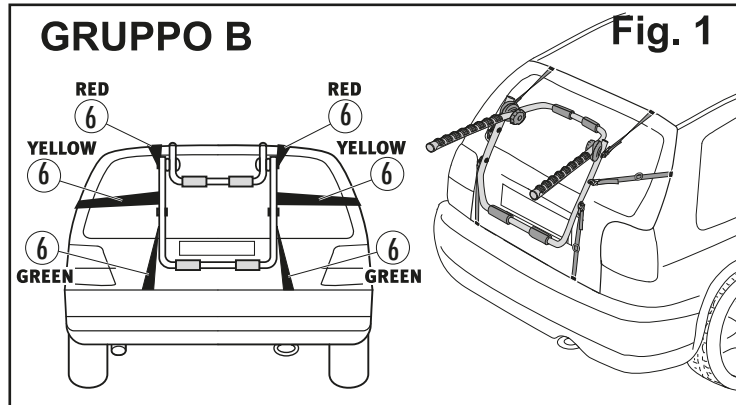
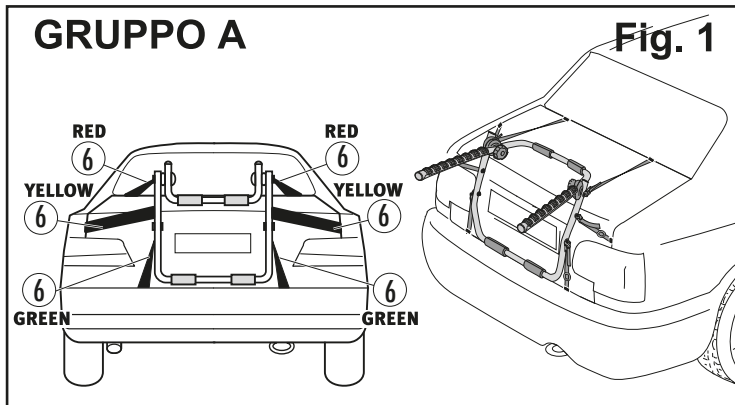
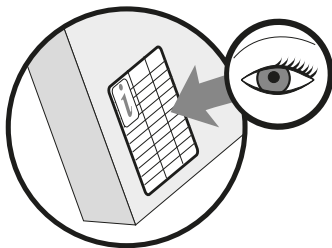


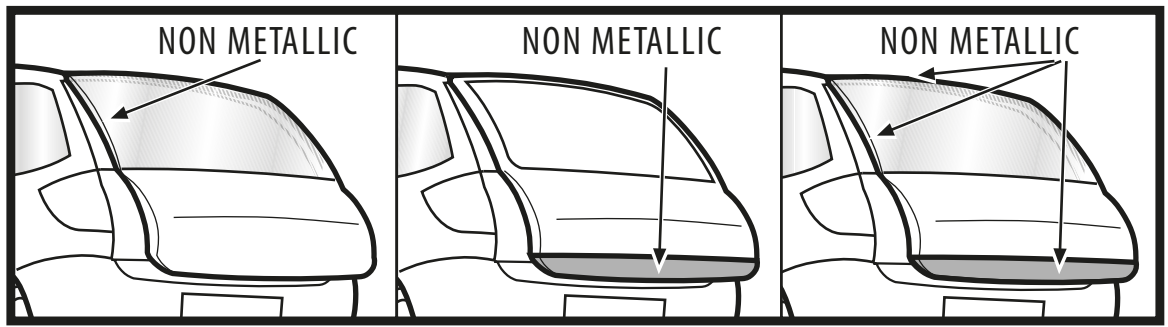
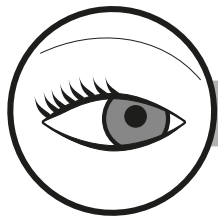
| N. | | Q. |
|----|-----------------------------------------------------------------------------------|----|
| 1 |  | 1 |
| 8 |  | 4 |




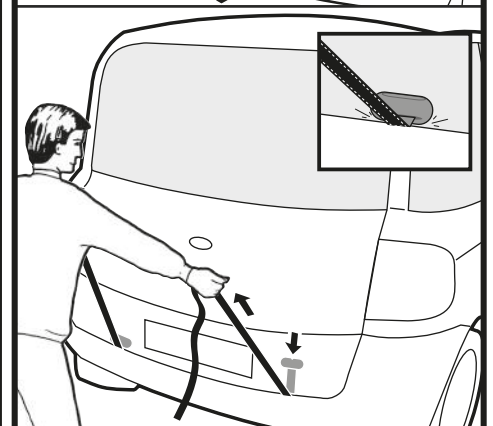
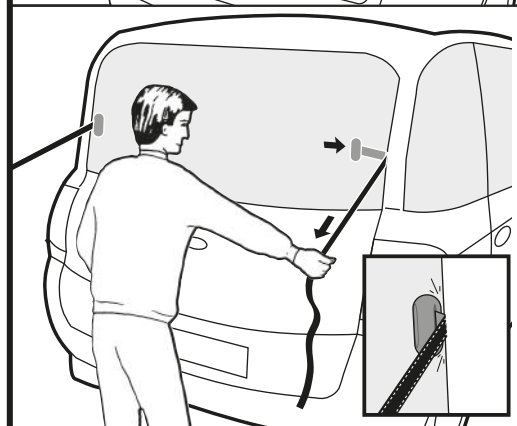
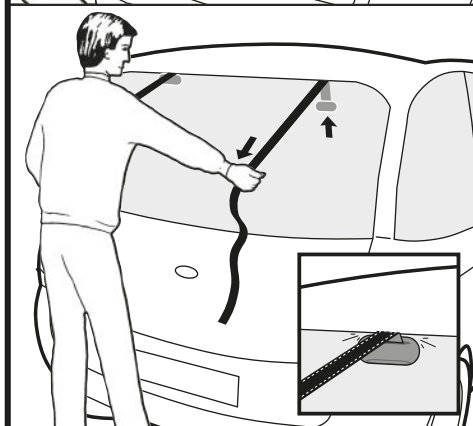
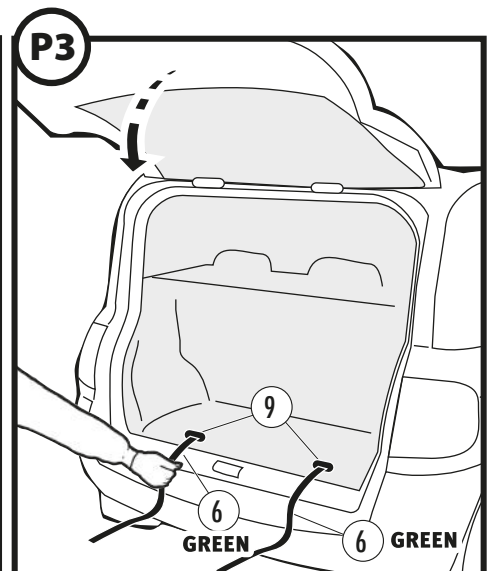
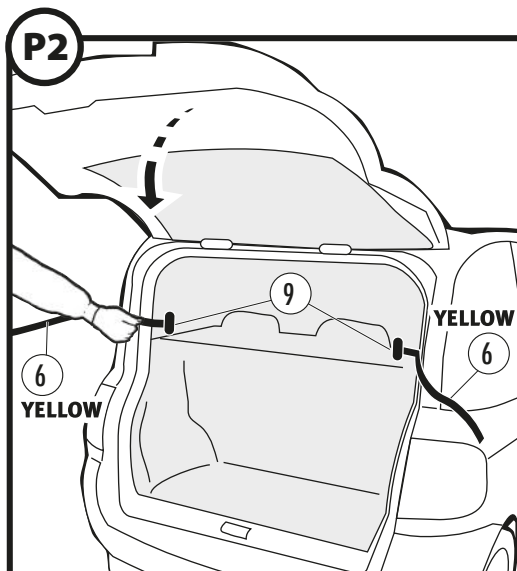
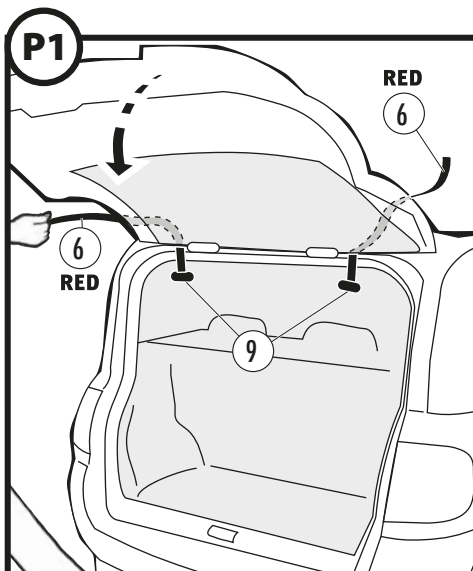
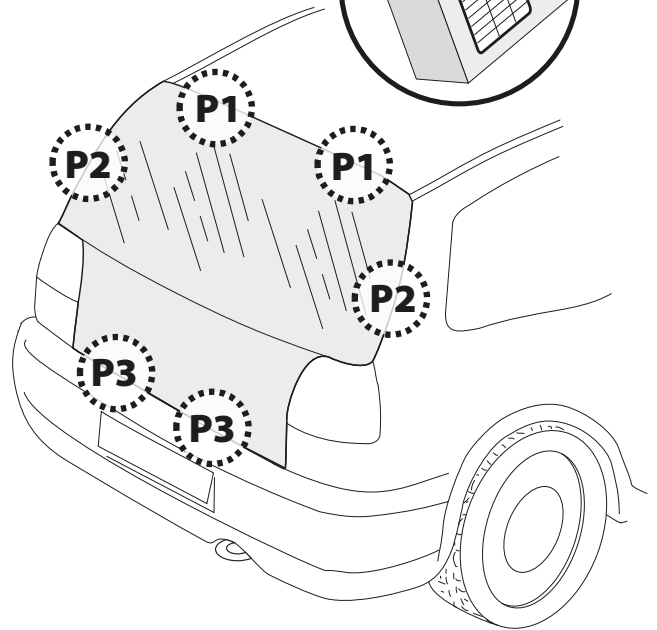
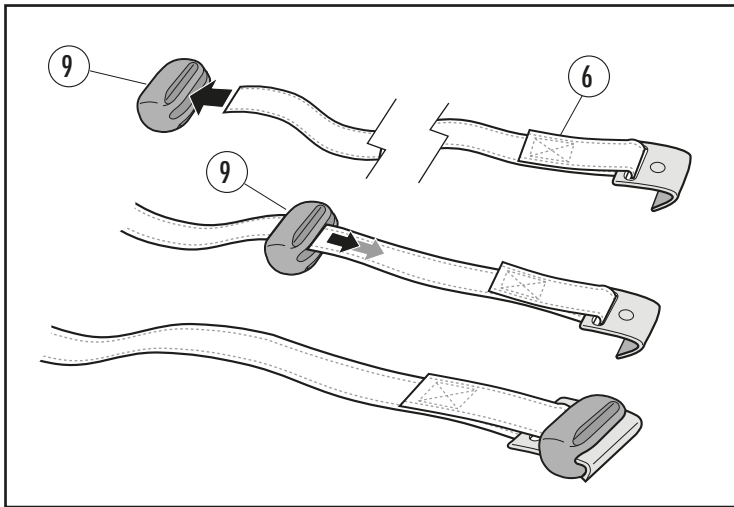
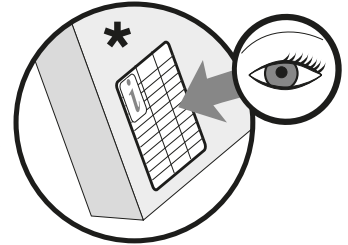
| N. | | Q. | |
|----|-------------------------------------------------------------------------------------|------------------------------------------------------------------------------------------------------|---|
| 5 |  | 4 | |
| 3 |  | 4 | |
| 2 |  | 4 | |
| 4 |  | 4 | |
| 6 |  | RED  | 2 |
| | | YELLOW  | 2 |
| | | GREEN  | 2 |




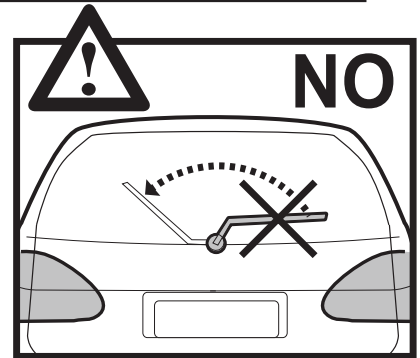
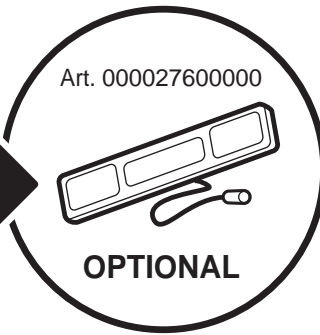
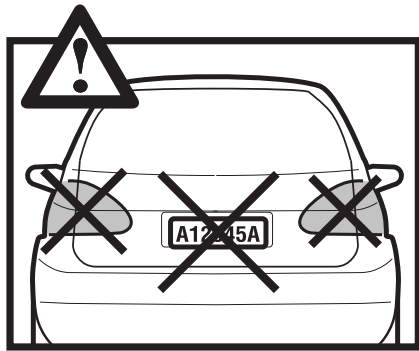
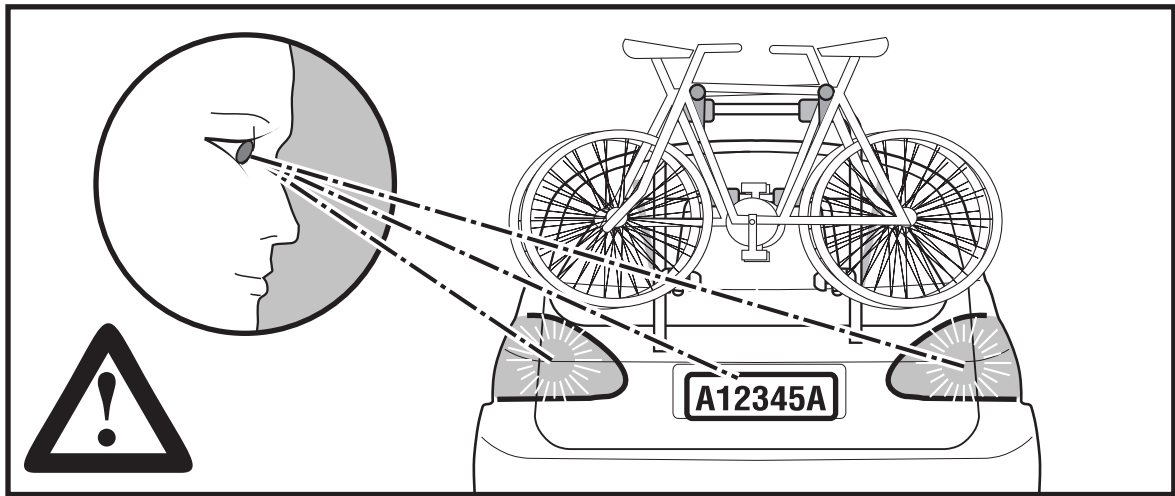
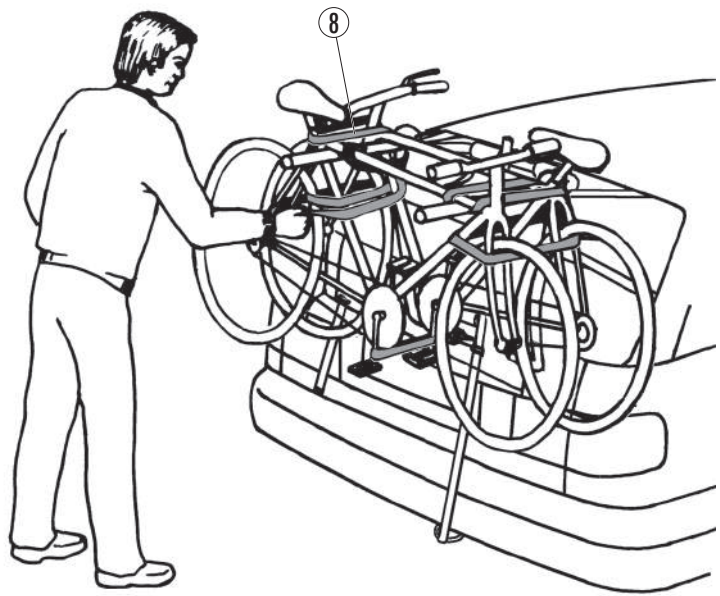




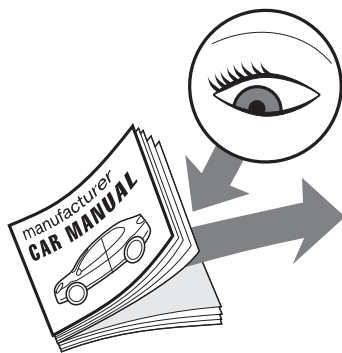
| N. | | Q. |
|----|-------------------------------------------------------------------------------------|----|
| 9 |  * | 4 |

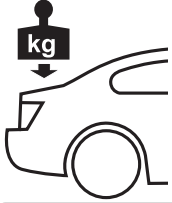




| | | |
|----|---------------------------------------------------------------------------------------------|----|
| N. | | Q. |
| 7 |  ~2,5MT | 1 |



| | | |
|--------------|--------------|--------------|
| Cod. Art. | 000033700000 | 0000337MW000 |
| Cod. istr. | 100115000001 | |
| Data | 18/05/2015 | |
| Creata da | NP | EL |
| Approvata da | | |



| | | |
|-------------------------------------------------------------------------------------|-------------------------------------------------------------------------------------|---------------------------------------------------------------------------------------|
|  |  |  |
| BIKI | 3,7 kg | MAX 45 kg |
| TOMCAT | | |



MENABO
 F.lli Menabò S.r.l.
 Via 8 Marzo, 3
 I - 42025 Cavriago (RE)
 Tel. +39-0522/942840
 Fax. +39-0522/942948
 e-mail: info@fli-menabo.it
 Web-site: www.fli-menabo.it